

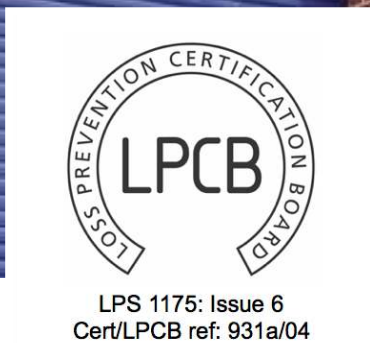
E77 / V77 ELITE

LPCB CERTIFIED ALUMINIUM SECURITY SHUTTER :: TECHNICAL DATASHEET 13

ROCHÉ



The E77 / V77 Elite is a very high security extruded aluminium shutter. It has Loss Prevention Certification Board (LPCB) certification, is tested to LPS 1175 (6.0) and security rated to SR2. The solid E77 Elite and punched V77 Elite can be used independently or combined for partial vision. The V77 Elite has polycarbonate inserts to infill the punched section, retaining high security levels. The shutter must be face fixed internally.



E77 ELITE



P77 ELITE (WITH INSERTS)

APPLICATIONS

Very high security commercial sites & shopfront applications, up to 25m².

The E77 & V77 Elite has been tested by the Loss Prevention Certification Board, and awarded Secured by Design status. The shutter is tested to LPS1175 (6.0) standard and is security rated at SR2. The shutter must be fitted via internal face fix.

Punched (V77) profile slats can be incorporated as required for full or partial vision. The V77 Elite has polycarbonate inserts to infill the punched section.

CURTAIN SLAT

Double skinned extruded aluminium (E77) or single skinned (V77) extruded aluminium.

Finish: White or Brown as standard. Option to powder coat any RAL / BS colour (surcharge applies).

Visible Face:	77mm
Weight per m ² :	8.5kg (E77 Elite) 8.8kg (V77 Elite)
Maximum Width:	5000mm
Maximum Area:	25m ²

ENCLOSURE

Roll-formed aluminium box with pressure-moulded aluminium alloy end plates.

Finish: White or Brown as standard. Option to powder coat any RAL / BS colour (surcharge applies).

Guide Height (mm)

1650
2600
4640

Plate Size (mm)

250
300
400

Plate sizes shown as a guide only and may vary.

BOTTOM SLAT

Extruded aluminium bottom slat with weather seal.

GUIDE CHANNELS

Extruded aluminium with brush infill and width of 150mm. Guide channels must be fitted 30mm from the opening, giving 180mm from opening edge to back of guide.

Finish: White or Brown as standard. Option to powder coat any RAL / BS colour (surcharge applies).

OPERATION

Electric: Somfy tubular motor & internal rocker or external key switch as standard. Safety brake as appropriate to comply with legislation. Manual override facility & crank handle as required (surcharge applies). Numerous control option variants such as group, remote or mobile phone activation.

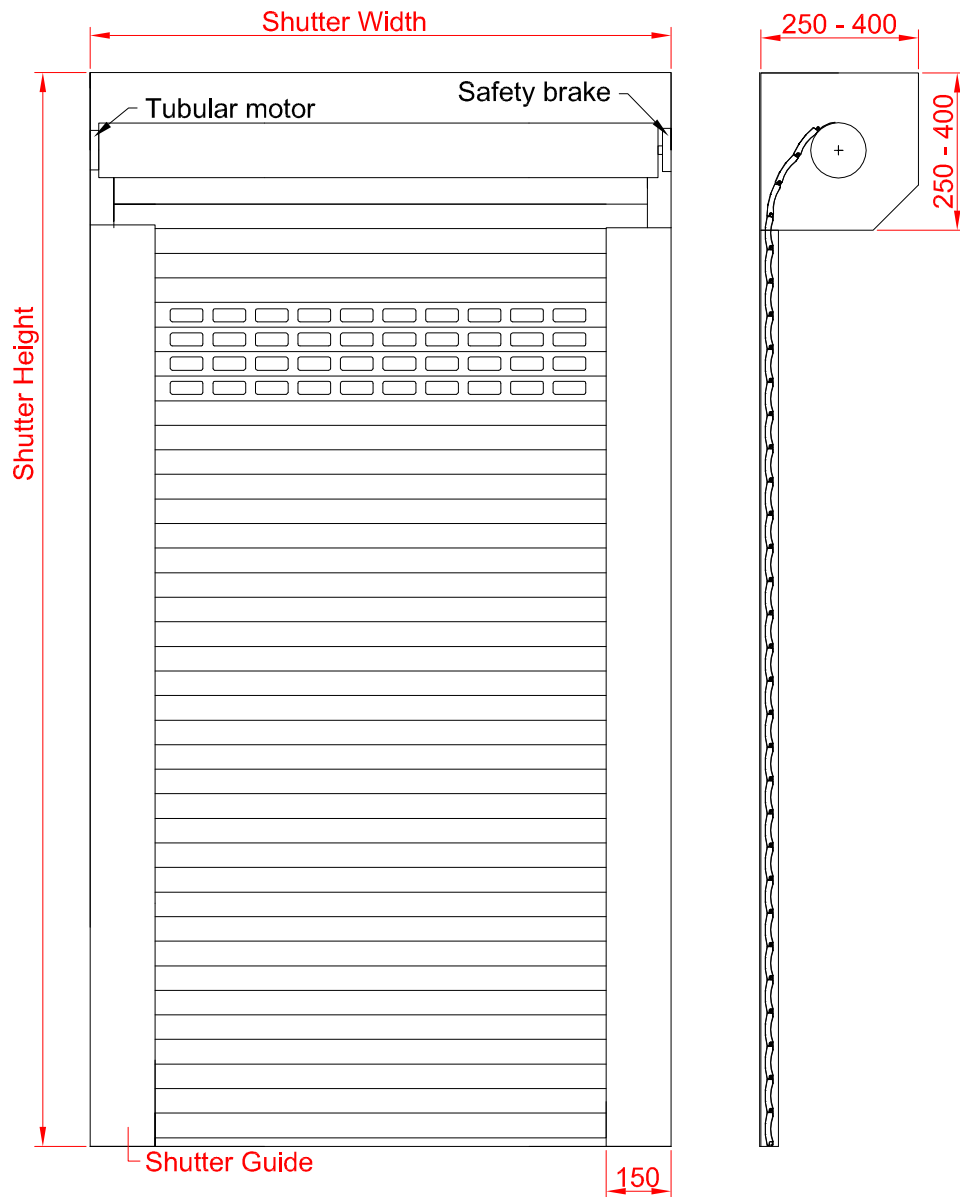
CE compliant to all applicable directives and standards.

E77 / V77 ELITE

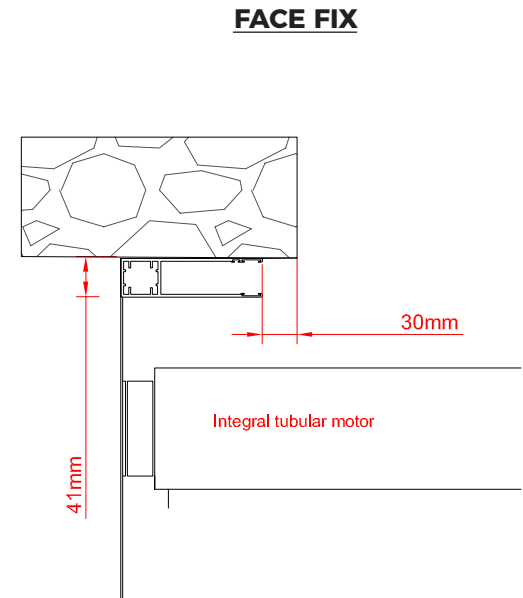
LPCB CERTIFIED ALUMINIUM SECURITY SHUTTER :: TECHNICAL DATASHEET 13



FRONT FACE



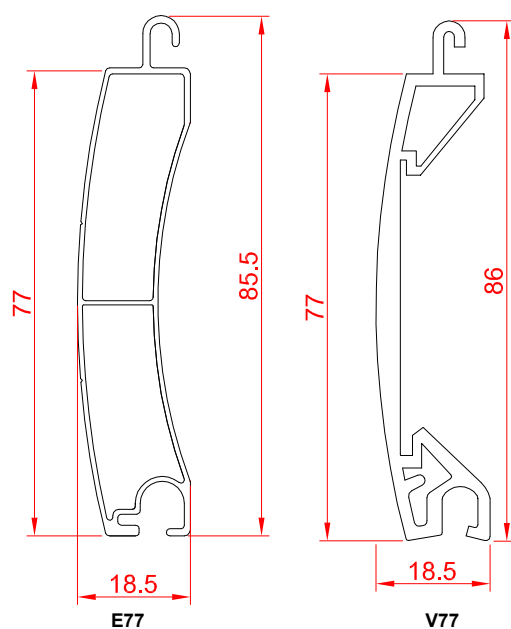
FIXING DETAIL



FACE FIX

The P77 Elite must be face fixed, either to brick, block, steel section or aluminium box section. Approved fixings and installation instructions are provided with the shutter.

SLAT PROFILE



GUIDE CHANNELS

