

Medium security domestic & commercial applications sites with a maximum area of 8m<sup>2</sup>. As well as security, the polyurethane foam core offers enhanced heat and sound insulation. Optional integrated light slots enable light ingress and airflow when the shutter is partially lowered. Suitable for internal or external face or reveal fit.



**M411  
Non-Vented**



**M411  
Vented**

### APPLICATIONS

Medium security domestic and commercial sites requiring insulation and sound proofing. Suitable for internal or external face or reveal fit.

### CURTAIN SLAT

Aluminium double skinned aluminium polyester powder-coated slat with polyurethane foam insulating core.

Finish: White, Brown, Cream, Grey, Fir Green, Black or Silver as standard. Vented and unvented options available.

Visible Face:	42mm
Weight per m <sup>2</sup> :	4kg
Maximum Width:	3400mm
Maximum Area:	8m <sup>2</sup>
Slat U-Value:	3.7 W/m <sup>2</sup> K

### ENCLOSURE

Roll-formed aluminium box with pressure-moulded aluminium alloy end plates. Circular box available in 165mm and 205mm sizes (surcharge applies).

Finish: White or Brown as standard. Option to powder coat any RAL / BS colour (surcharge applies).

Guide Height (mm)	Plate Size (mm)
1050	150
1435	165
1720	180
2295	205
3350	250

Plate sizes shown as a guide only and may vary.

### BOTTOM SLAT

Extruded aluminium bottom slat with rubber weather seal.

### GUIDE CHANNELS

Extruded aluminium guide channels with brush inserts. Width of 45mm, 53mm, 66mm or 60HD.

Finish: White or Brown as standard. Option to powder coat any RAL / BS colour (surcharge applies).

### OPERATION

**Electric:** Somfy tubular motor & internal rocker or external key switch as standard. Safety brake as appropriate to comply with legislation. Manual override facility & crank handle as required (surcharge applies). Numerous control option variants such as group, remote or mobile phone activation.

**Manual Cord Belt:** A swivel winder coils the belt within a compact box.

**Manual Rod & Crank:** A geared rod and crank handle winds the shutter.

**Manual Spring & Lock:** A counter-balanced spring assembly with a key-lock bottom slat & handles.

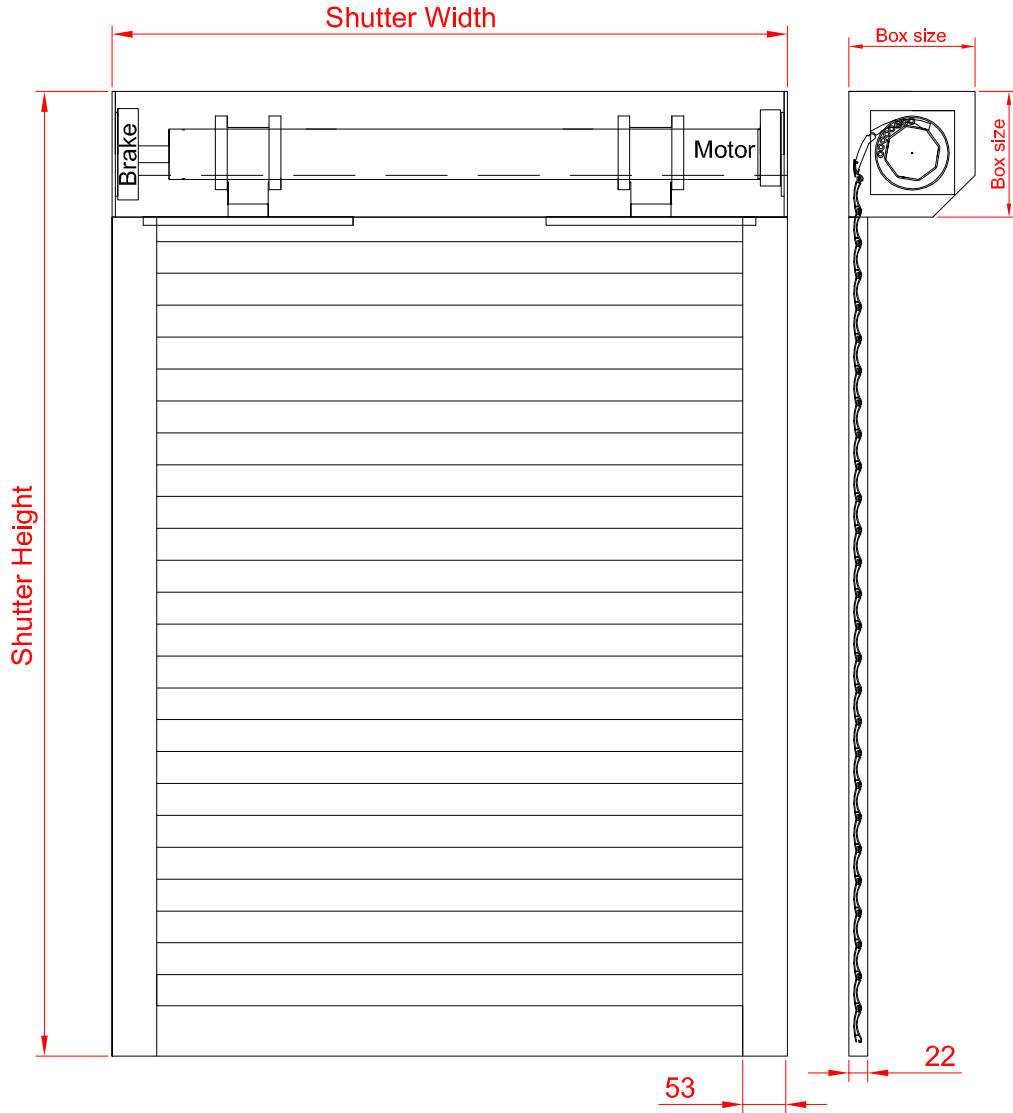
CE compliant to all applicable directives and standards.

# M411

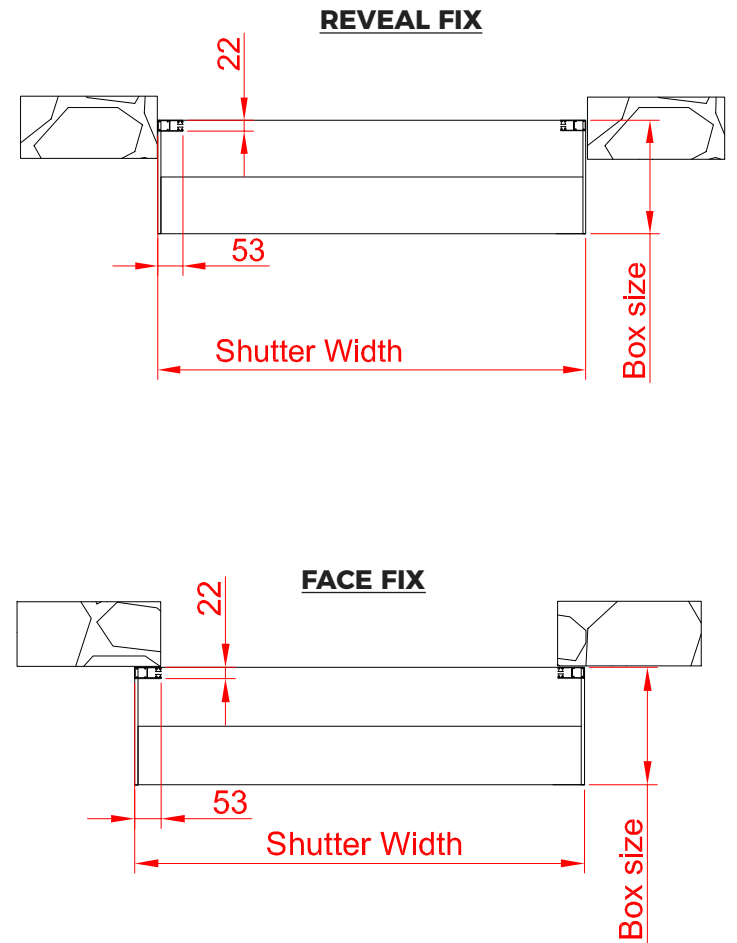
## INSULATED ALUMINIUM SECURITY SHUTTER :: TECHNICAL DATASHEET 1



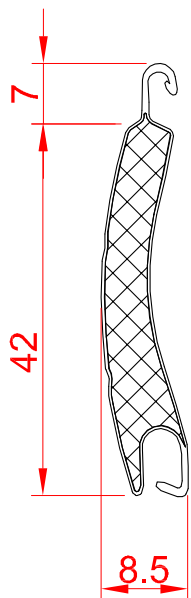
### FRONT FACE



### FIXING DETAIL



### SLAT PROFILE



### GUIDE CHANNELS

