

M511

INSULATED ALUMINIUM SECURITY SHUTTER :: TECHNICAL DATASHEET 4

ROCHÉ



The M511 provides security, insulation and sound proofing to domestic and commercial sites. It is suitable for internal or external face or reveal fit types, with vented profiles available on request. A choice of colours is included as standard, with powder coating any RAL / BS colour available for a surcharge.



**M511
Non-Vented**



**M511
Vented**

APPLICATIONS

Medium security domestic and commercial sites requiring insulation and sound proofing. Can be internal or external face or reveal fit, with a maximum opening size of 12m².

CURTAIN SLAT

Aluminium double-skinned polyester powder coated slat with polyurethane foam insulating core. Vented and unvented profiles available.

Finish: White, Brown, Cream, Grey, Fir Green, Black or Silver as standard. Vented and unvented options available.

Visible Face:	55mm
Weight per m ² :	4.5kg
Maximum Width:	5000mm
Maximum Area:	12m ²
Slat U-Value:	2.2W/m ² K

ENCLOSURE

Roll-formed aluminium box with pressure-moulded aluminium alloy end plates. Circular box available in 165mm and 205mm sizes (surcharge applies).

Finish: White or Brown as standard. Option to powder coat any RAL / BS colour (surcharge applies).

1745

2900

4200

205

250

300

Plate sizes shown as a guide only and may vary.

BOTTOM SLAT

Extruded aluminium bottom slat with rubber weather seal.

GUIDE CHANNELS

Extruded aluminium guide channels with brush inserts. Width of 66mm or 75mm.

Finish: White or Brown as standard. Option to powder coat any RAL / BS colour (surcharge applies).

OPERATION

Electric: Tubular motor & internal rocker or external key switch as standard. Safety brake as appropriate to comply with legislation. Manual override facility & crank handle as required (surcharge applies). Numerous control option variants such as group, remote or mobile phone activation.

Note: Manual operation is available but not common for the M511 since the large area usually covered by the M511 contributes to the weight of the shutter.

CE compliant to all applicable directives and standards.

Guide Height (mm)

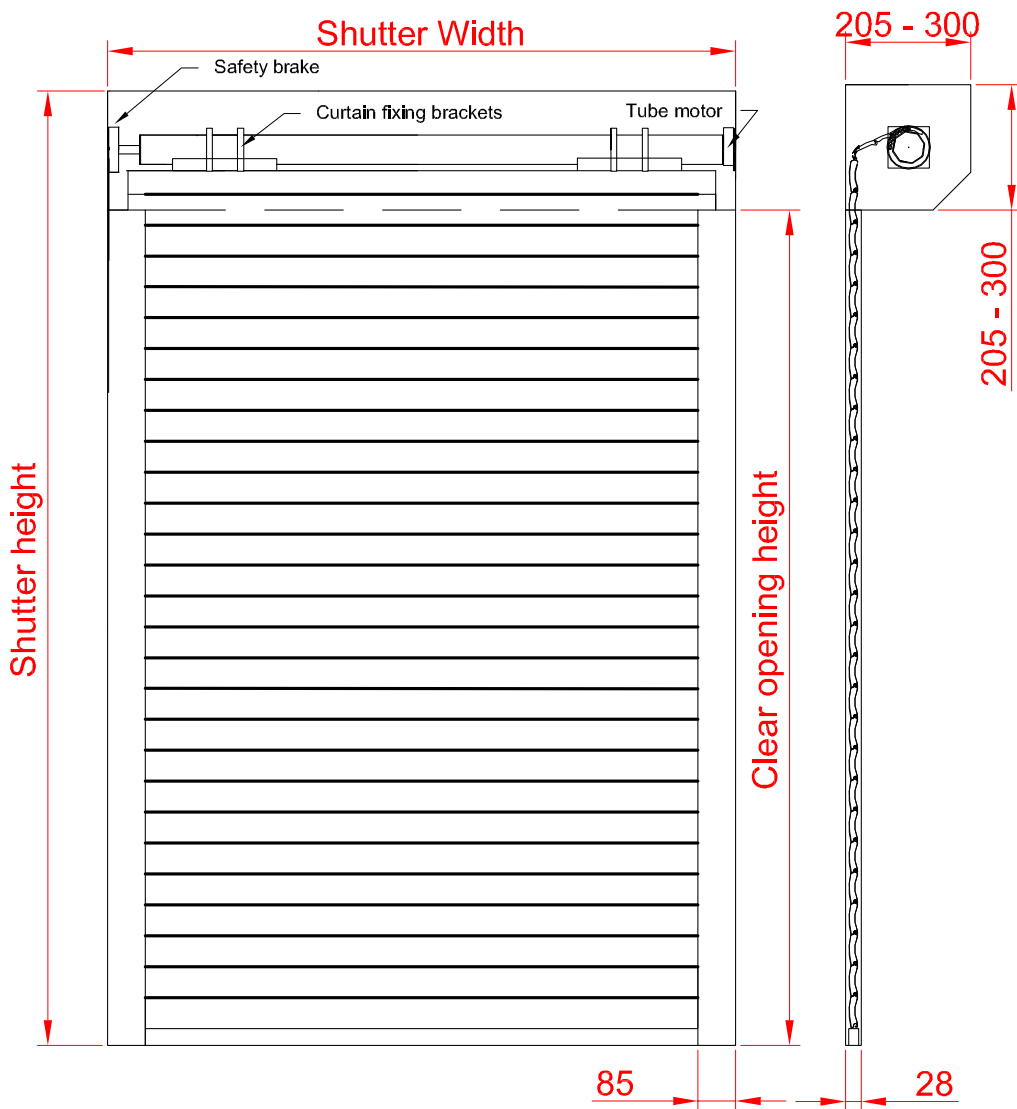
Plate Size (mm)

M511

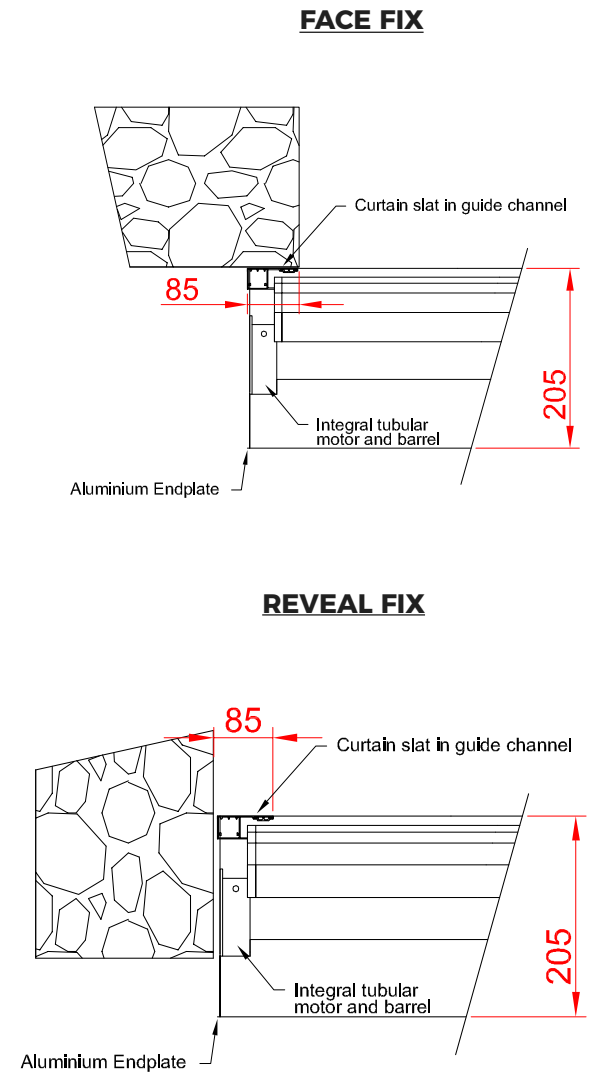
INSULATED ALUMINIUM SECURITY SHUTTER :: TECHNICAL DATASHEET 4



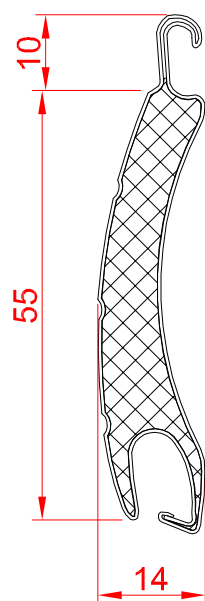
FRONT FACE



FIXING DETAIL



SLAT PROFILE



GUIDE CHANNELS

