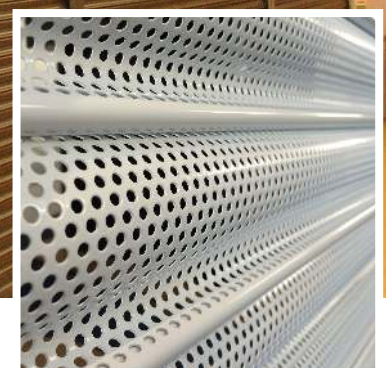




Perforated shutter providing vision and security for openings up to 49m². 77mm curved steel slat with galvanised finish as standard, and powder coating and plastisol finishes available on request. Electric operation is provided as standard, either tubular and outboard motor depending on the size.



APPLICATIONS

Commercial and industrial openings up to 50m². The P76 offers full or partial vision of 27% see-through visibility while retaining the durability and security of a regular solid shutter curtain. Solid slats can be incorporated as required (see S76 - Datasheets 17 & 18). An LPCB LPS 1175 and Secured by Design variant (SR1) is also available - see P76 Elite (Datasheet 24).

CURTAIN SLAT

Single skin 76mm (3") curved steel. Wall thickness 0.7mm, 0.9mm, or 1.2mm, depending on overall opening width.

Finish: Galvanised finish as standard. Option to powder coat any RAL / BS colour or to choose from a range of plastisol finishes (surcharges apply).

Visible Face:	76mm
Weight per m ² :	8.3kg (0.7mm thickness) 10.6kg (0.9mm thickness) 14.2kg (1.2mm thickness)
Maximum Width:	12000mm
Maximum Area:	29m ² (tubular) 49m ² (outboard)

CASING

Galvanised steel casing & end plates as standard. Optional fascia / custom design casings available on request (surcharge applies). N.B. Reveal fix installations are supplied with a fascia as standard. See Datasheet 19 for aluminium housing.

Finish: Galvanised finish as standard. Option to powder coat any RAL / BS colour (surcharge applies).

Guide Height (mm)	Plate Size (mm)	Motor
2695	305	Tubular

2695	305	Tubular
4000	355	Tubular
5000	400	Tubular
2200	305	Outboard
3650	355	Outboard
6000	400	Outboard

These sizes apply to standard shutter roll methods only. Reverse rolled curtains will require larger casings than those shown. Plate sizes shown as a guide only and may increase dependent on shutter width.

Note: Outboard motors are generally larger than the plate itself.

GUIDE CHANNELS

Galvanised steel with brush weather seal. Guide channel width of 50mm, 65mm, 75mm or 100mm. Windlock version available.

Finish: Galvanised finish as standard. Option to powder coat any RAL / BS colour (surcharge applies).

BOTTOM RAIL

Galvanised steel 'L' or 'T' shaped bottom rail.

OPERATION

Electric, Tubular: Tubular motor with internal rocker or external key switch as standard. Safety brake as appropriate to comply with legislation (surcharge applies).

Electric, Outboard: Three phase outboard motor with safety brake, chain manual override & TS959 push button control station as standard.

Both tubular & outboard motors have numerous control option variants such as timed closure, group, remote control or mobile phone activation.

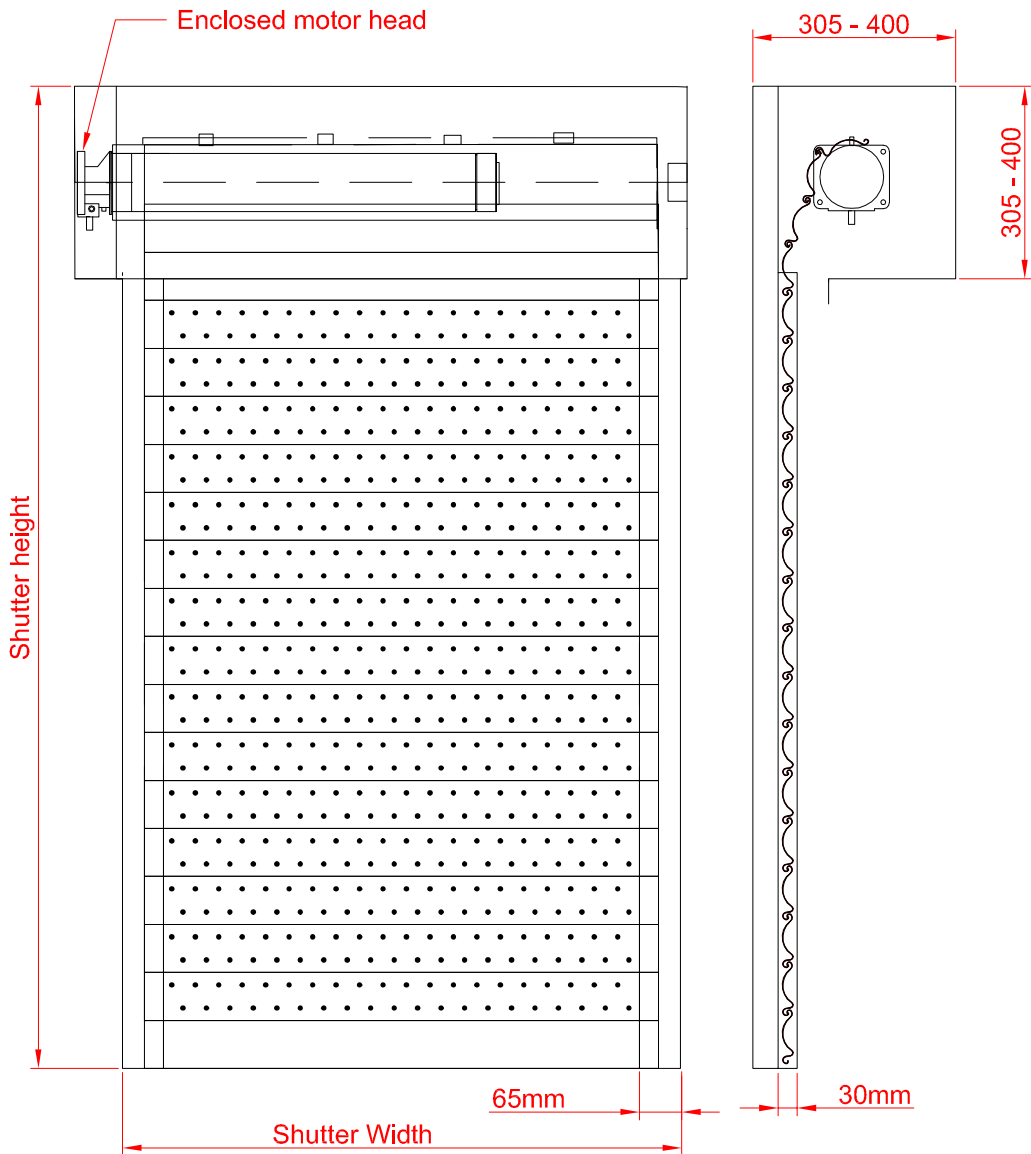
CE Compliant to all applicable directives and regulations.

P76

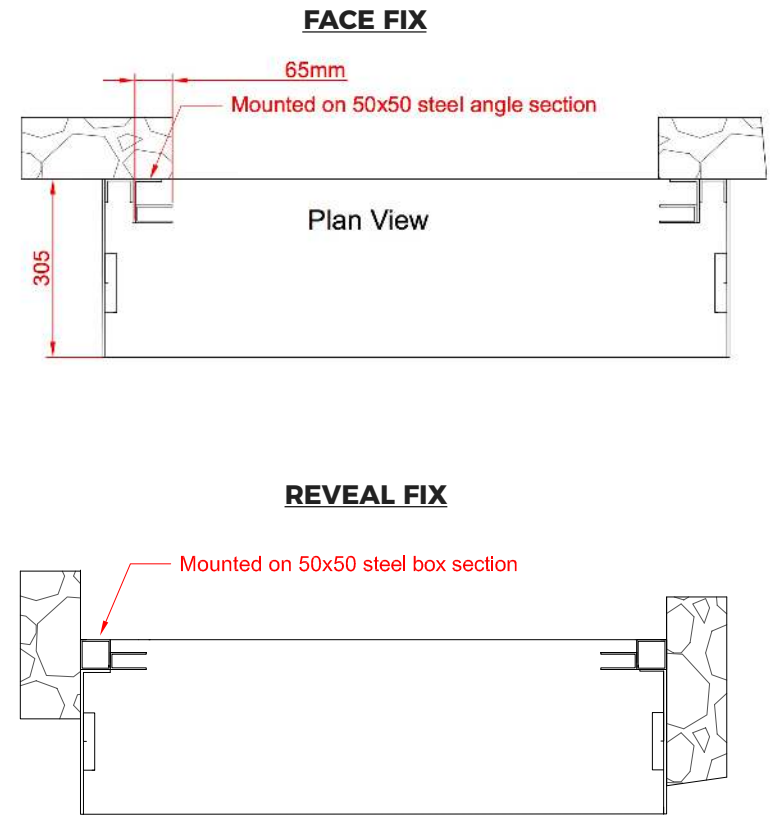
STEEL VISION SECURITY SHUTTER :: TECHNICAL DATASHEET 23



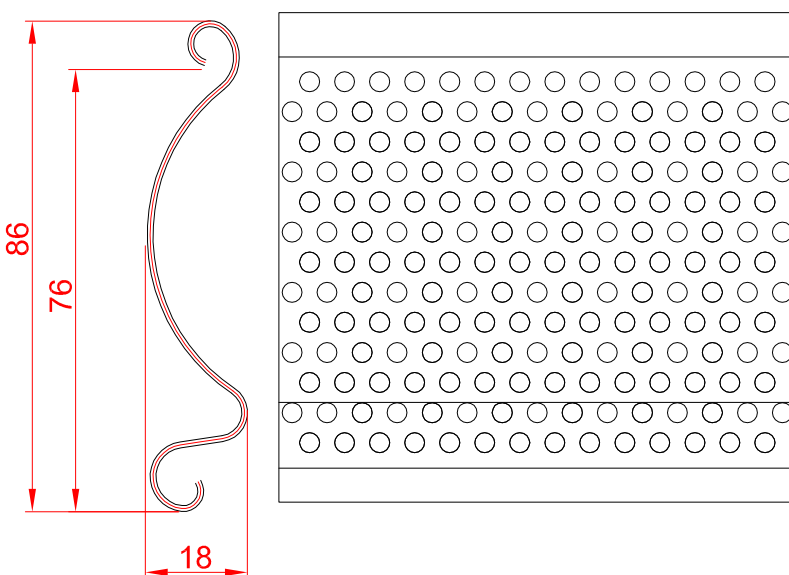
FRONT FACE



FIXING DETAIL



SLAT PROFILE



GUIDE CHANNELS

