



The E77 security shutter provides a medium security solution for domestic and commercial applications spanning openings up to 5m wide and 25m². The aluminium profile enables the shutter to roll very tightly into a box which is typically between 300mm and 360mm high.

Each 77mm slat is made from double-skinned extruded aluminium and the solid profiles on the E77 can be used in conjunction with the punched (V77) or perforated (P77) slats to form a see through security shutter.



APPLICATIONS

Commercial sites & shop-front applications, up to 25m². The E77 & V77 can be upgraded to insurance approved Secured by Design status, meeting LPCB LPS1175 (6.0) standard to SR2. Punched (V77) or Perforated (P77) profile slats can be incorporated as required for full or partial vision. Suitable for internal or external face or reveal fit.

CURTAIN SLAT

Double skinned extruded aluminium.

Finish: White, Anthracite & Black as standard. Option to powder coat any RAL / BS colour (surcharge applies).

Visible Face: 77mm
Weight per m²: 8.5kg
Maximum Width: 6000mm
Maximum Area: 25m²

ENCLOSURE

Roll-formed aluminium box with pressure-moulded aluminium alloy end plates.

Finish: White or Brown as standard. Option to powder coat any RAL / BS colour (surcharge applies).

Guide Height (mm)	Plate Size (mm)
1650	250
2600	300
4640	360

Plate sizes shown as a guide only and may vary.

BOTTOM SLAT

Extruded aluminium bottom slat with rubber weather seal.

GUIDE CHANNELS

Extruded aluminium guide channels with brush inserts. Width of 70mm, 90mm or 150mm.

Finish: White or Brown as standard. Option to powder coat any RAL / BS colour (surcharge applies).

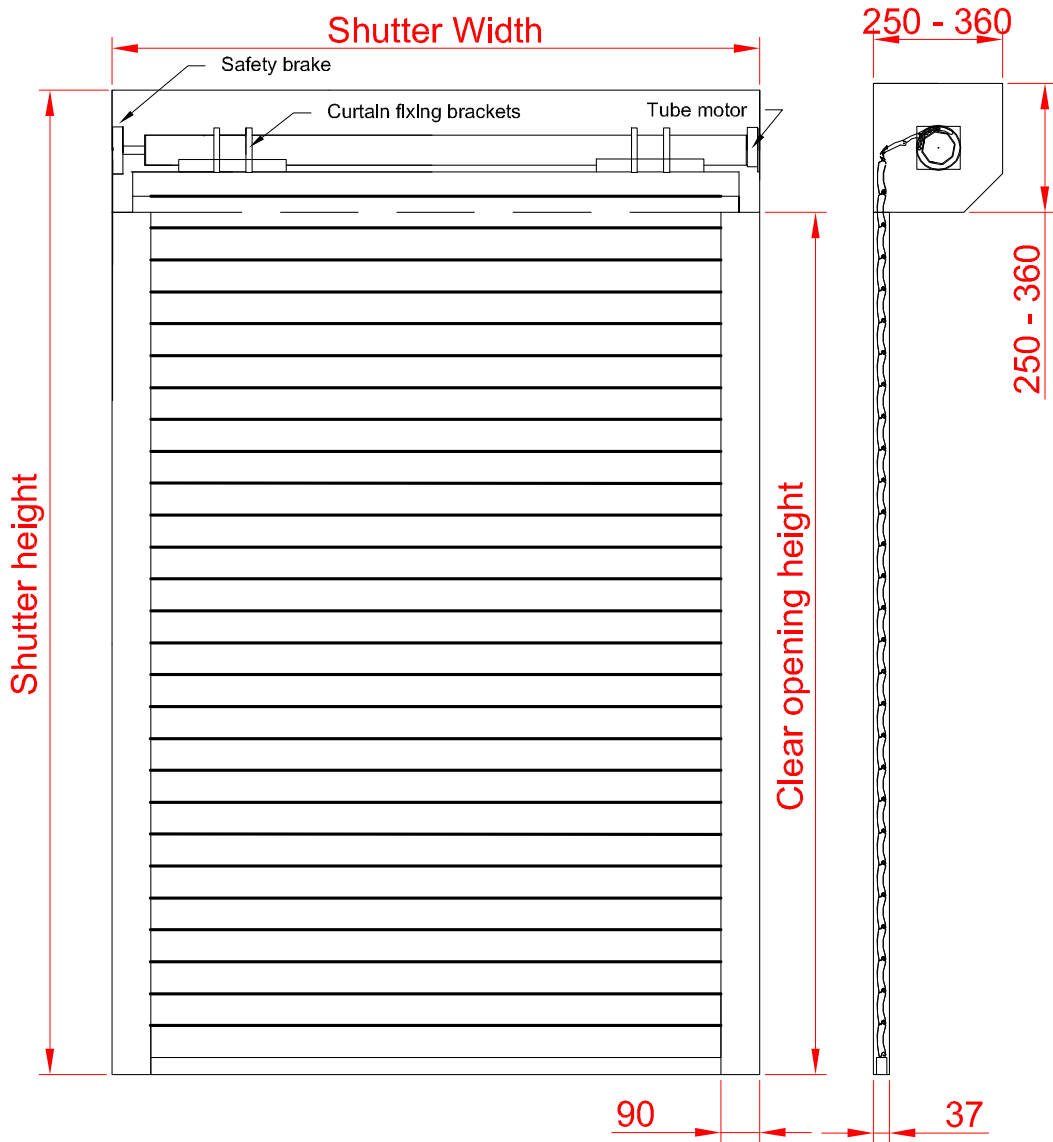
OPERATION

Electric: Somfy tubular motor as standard. Safety brake as appropriate to comply with legislation. Manual override facility & crank handle as required (surcharge applies).

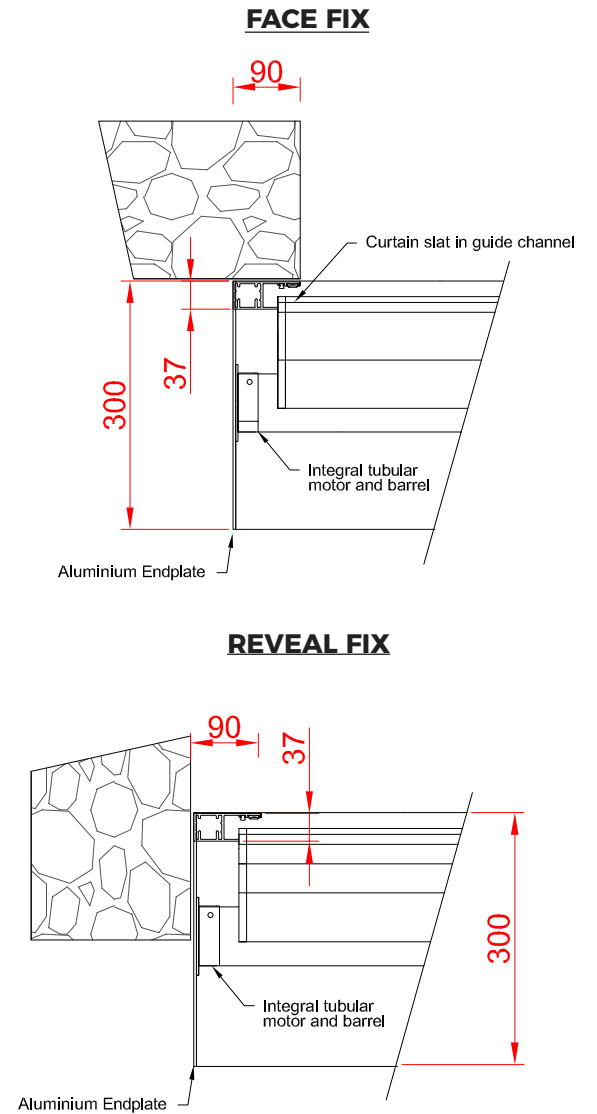
All motors have numerous control option variants such as rocker switch, key switch, remote and group or mobile phone activation.

Manual: Manual operation is available but not common as the shutter tends to be used to cover large openings.

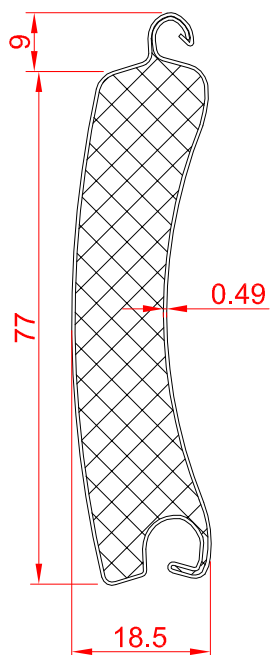
FRONT FACE



FIXING DETAIL



SLAT PROFILE



GUIDE CHANNELS

