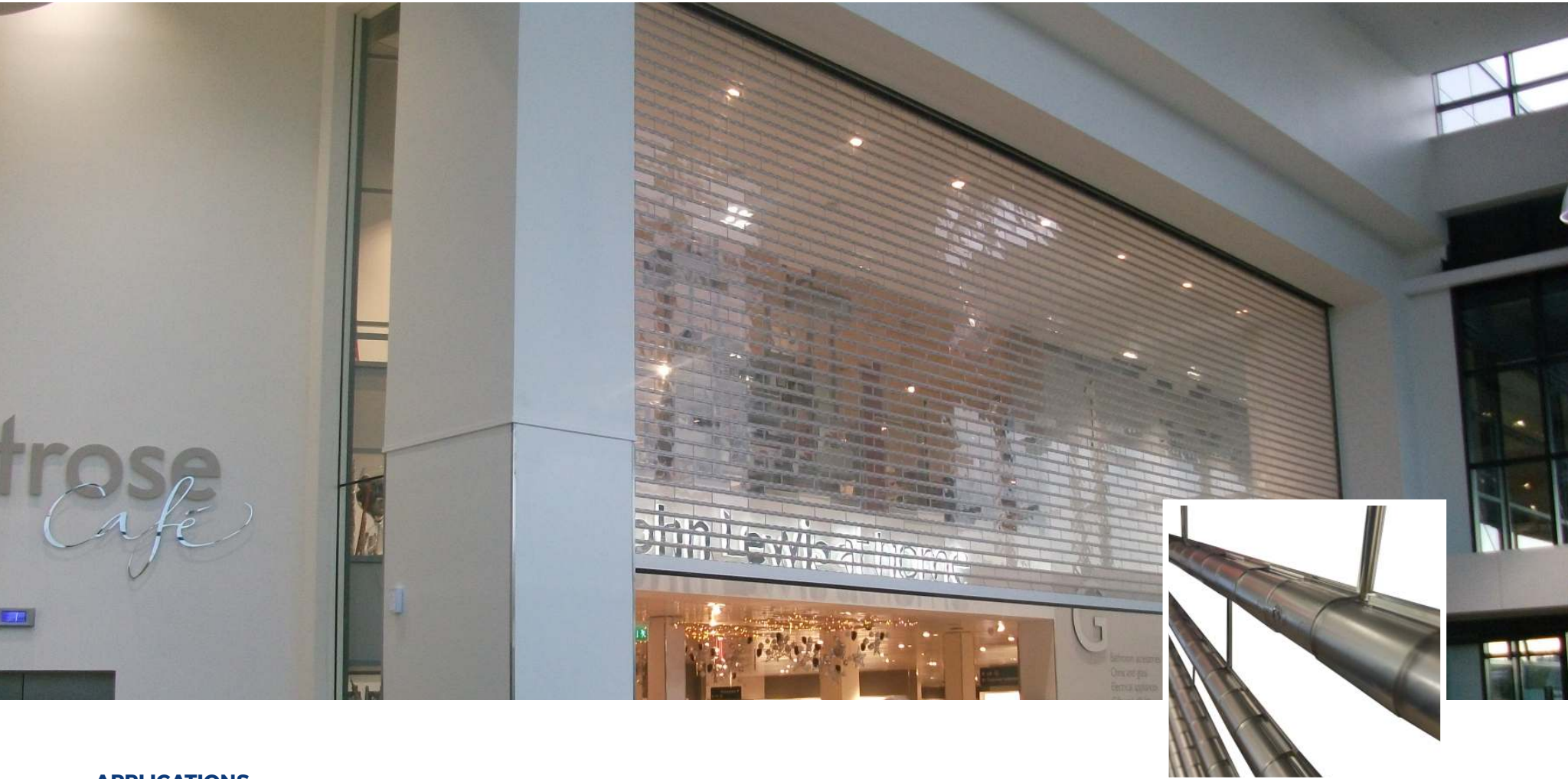




EUROLOOK is the perfect solution to improve the security, visuals and exposure of businesses, homes, industries and risky sites (banks, airports, etc.) in complete transparency.

The design of the EUROLOOK makes it possible to obtain aprons of great rigidity, strong wind resistance and security against break-ins.



### APPLICATIONS

High security commercial sites where see-through vision is a priority. Tested by SKG to ENV 1627-16390 standard with Class 3 security rating. Fire tested to BS 476:Part 7 (1997), Class 1 rating.

### CURTAIN LINKS

High resistance polycarbonate transparent modules built in a brick formation as standard. UV-stabilised, it does not discolour or yellow.

Finish: Transparent polycarbonate.

Slat Face:	107mm
Weight per m <sup>2</sup> :	10.5kg
Maximum Width:	8500mm
Maximum Area:	40m <sup>2</sup>

### CASING

Not provided as standard. Galvanised steel casing available (surcharge applies), with option to powder coat any RAL / BS colour.

Guide Height (mm)	Plate Size (mm)	Motor
2750	305	Tubular
4000	355	Tubular
4500	400	Tubular
5000	400	Outboard
6000	450	Outboard
7000	550	Outboard

Plate sizes shown as a guide only and may vary.

### BOTTOM SLAT

Extruded aluminium bottom slat with rubber weather seal.

Finish: Anodised aluminium as standard, powder coating available on request.

### GUIDE CHANNELS

Extruded aluminium with a PVC weather seal. Guide channel width of 100mm.

Finish: Mill aluminium finish as standard, powder coating available on request.

### OPERATION

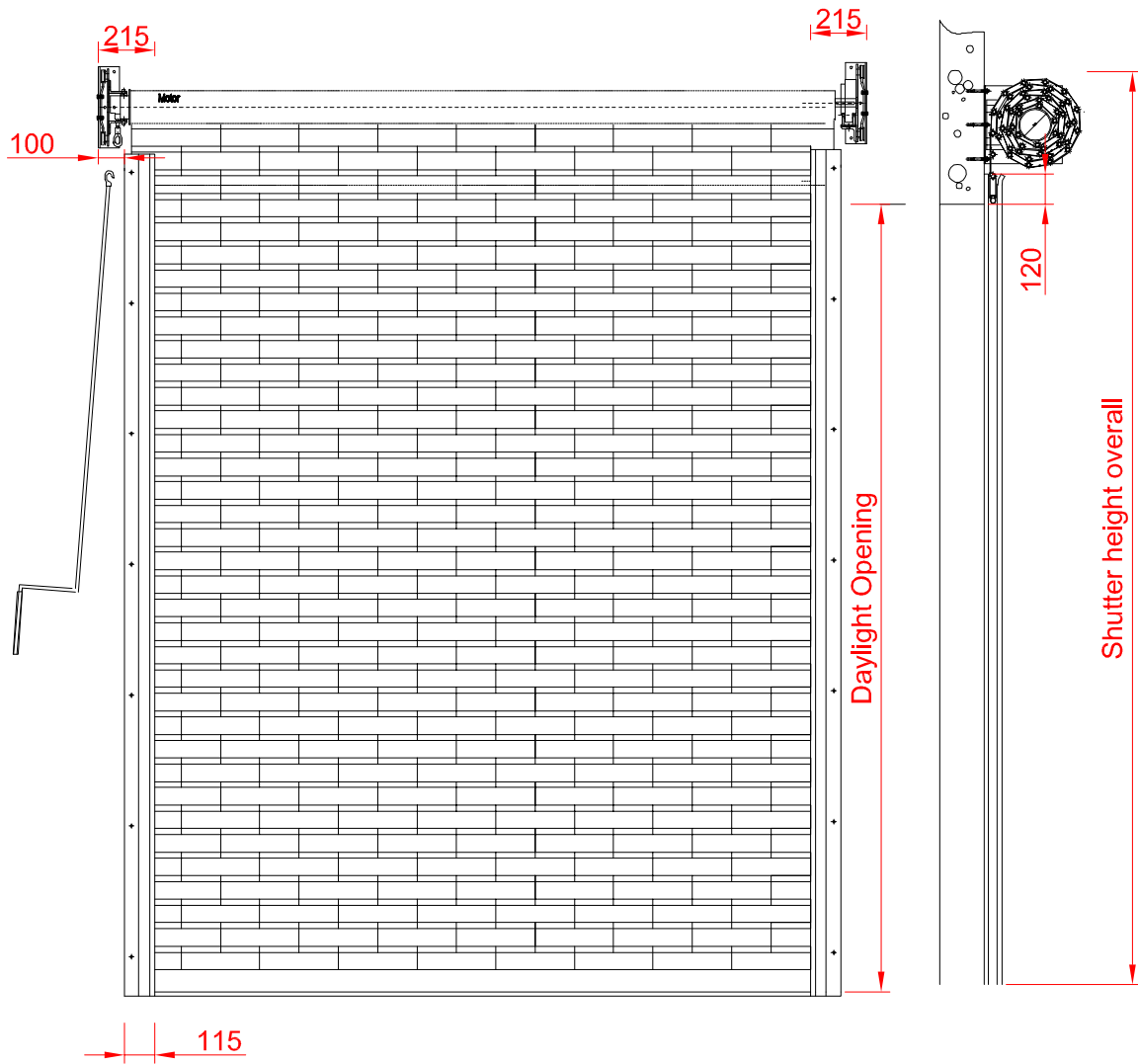
**Tubular Motor:** NRG Econom tubular motor with with internal rocker switch or external key switch and safety brake as appropriate to comply with legislation. Manual override facility & crank handle as required (surcharge applies).

**Outboard Motor:** GfA Safedrive & Ranger single or three phase motor with integrated safety brake, chain manual override and push button control station as standard. Other motors available on request, including Ellard, Link Controls and high speed options. All motors have numerous control option variants such as remote and group or mobile phone activation.

**Manual Spring & Lock:** A counter-balanced spring and lock assembly is available for shutters up to 6.25m<sup>2</sup>. A counter-balanced helical 'loaded shutter' controlled via hand chain is available for larger applications.

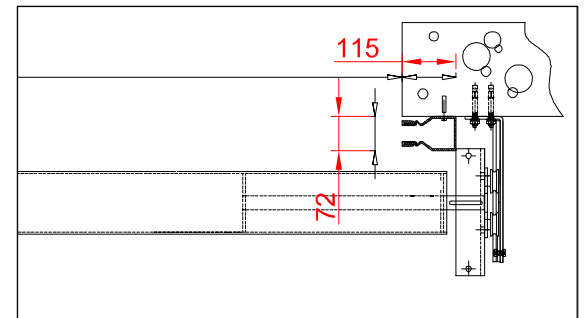


### FRONT FACE

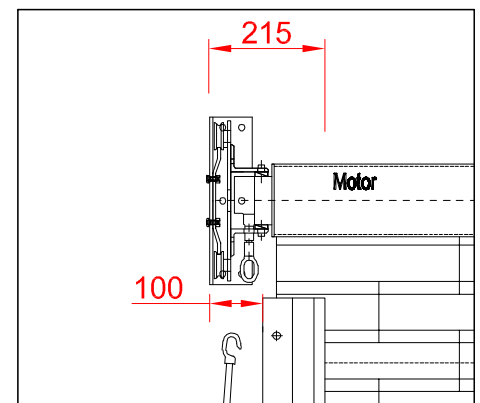


### FIXING DETAIL

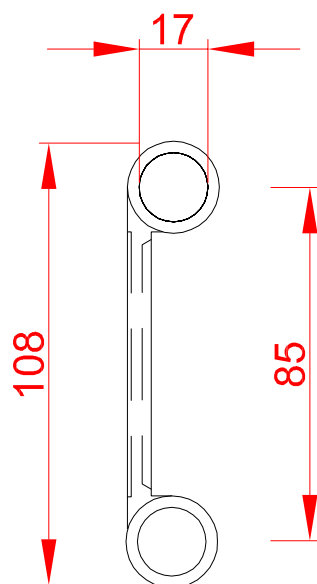
#### FACE FIX



#### REVEAL FIX



### SLAT PROFILE



### GUIDE CHANNELS

